

TABLE 1: ROCK PROTECTION DETAILS

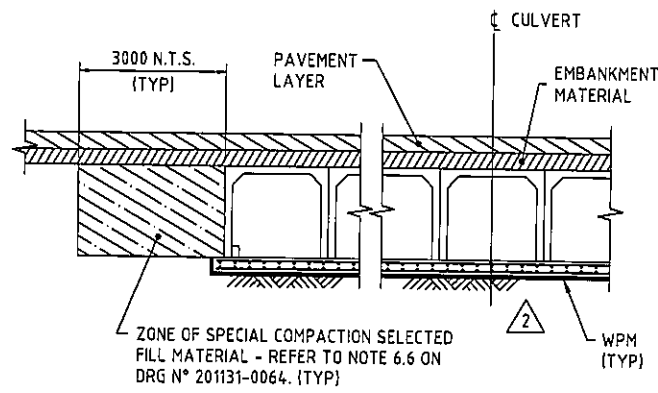
CLASS ROCK	MIN THICKNESS (T)	MIN LENGTH (LOR)	ROCK SIZE (m) ³	ROCK MASS (Kg)	% OF ROCK LARGER THAN
FACING	500	3000	0.40 0.30 0.15	100 35 2.5	0 50 90
LIGHT	750	3000	0.55 0.40 0.20	250 100 10	0 50 90
1/4 TONNE	1000	5000	0.75 0.55 0.30	500 250 35	0 50 90
1/2 TONNE	1250	5000	0.90 0.70 0.40	1000 450 100	0 50 90

* ASSUMING A SPECIFIC GRAVITY OF 2.65 AND SPHERICAL SHAPE FOR ALL ROCK CLASS.

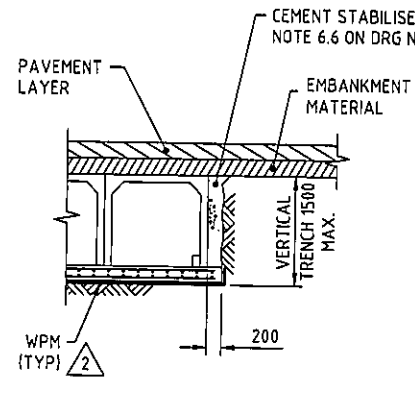
AMENDMENTS

No.	DESCRIPTION	APPROVED & DATE
1	WINGWALL SLOPE CHANGED. NOTE 4 ADDED.	T.A. FREEMAN 18/11/14
2	DIMENSIONS UPDATED. NOTES AMENDED. CONTRACTION JOINT REQUIREMENT ADDED. CHANGED :- WINGWALL NOTES; COVER RANGE IN TITLEBLOCK; SECT F TO E. ADDED :- WPM TO SECTIONS; 150 BASE SLAB DETAILS FROM DRG 201130-0085 (DESIGN BY N. MURRAY); NOTES 1 TO 5. REMOVED :- SECTION D & 150 (NOM) SELECTED BEDDING MATERIAL.	<i>[Signature]</i> 15.01.18

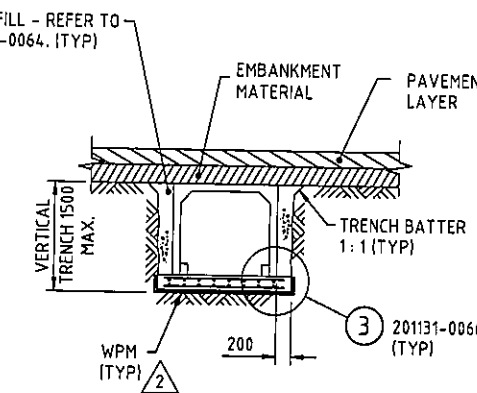
NOTES
1. FOR NOTES AND GENERAL NOTES REFER TO DRAWING N° 210031-0064.



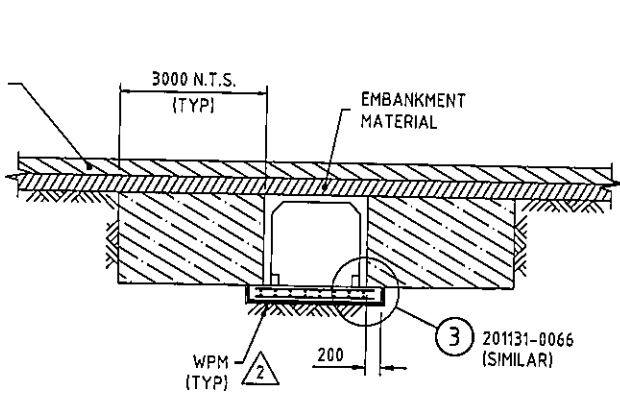
SECTION (B) 201131-0064
(EMBANKMENT METHOD - MULTI BARRELS)
LINK SLAB SHALL NOT BE USED.
1:50



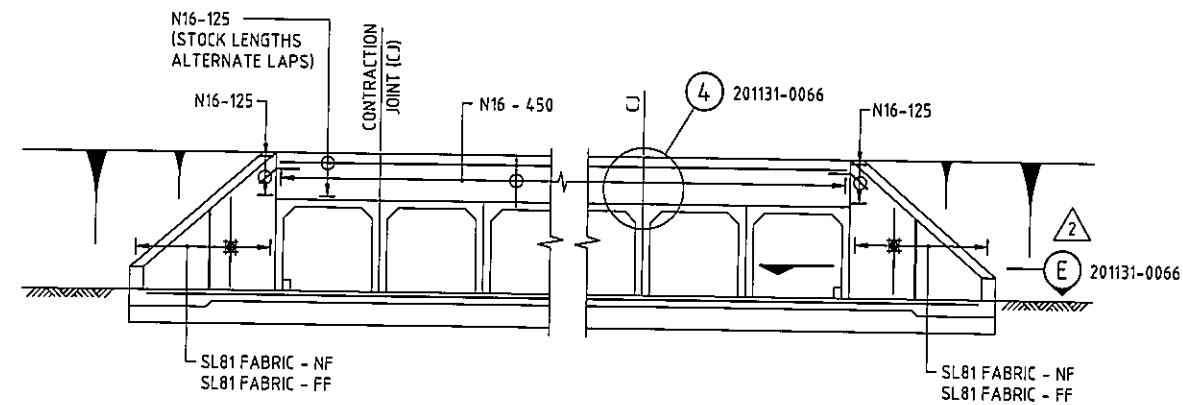
SECTION (B) 201131-0064
(TRENCH METHOD - MULTI BARRELS)
LINK SLAB SHALL NOT BE USED.
1:50



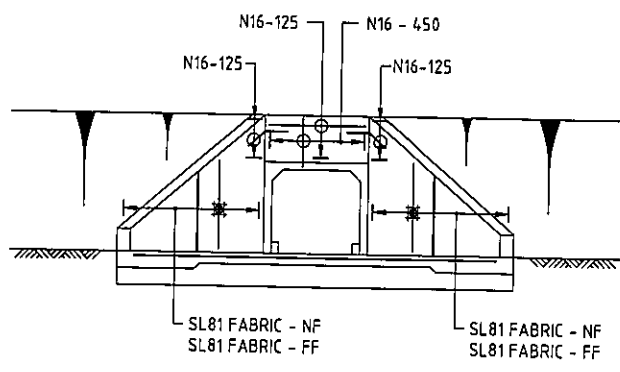
SECTION (B) 201131-0064
(TRENCH METHOD - SINGLE BARREL)
1:50



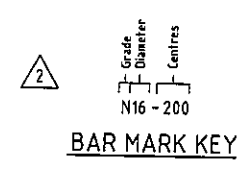
SECTION (B) 201131-0064
(EMBANKMENT METHOD - SINGLE BARREL)
1:50



VIEW (C) 201131-0064
(MULTI BARRELS)
LINK SLAB SHALL NOT BE USED.
1:50



VIEW (C) 201131-0064
(SINGLE BARREL)
1:50



THIS DRAWING SHALL BE READ IN CONJUNCTION WITH DRG. N°s 201131-0064 & 201131-0066 AND THE GENERAL ARRANGEMENT AND/OR CULVERT SCHEDULE DRAWINGS.

mainroads
WESTERN AUSTRALIA
Government of Western Australia
PLANNING AND TECHNICAL SERVICES DIRECTORATE
ROAD AND TRAFFIC ENGINEERING BRANCH
WATERLOO CRESCENT EAST PERTH 6004
Telephone (08) 9323 4111 Fax (08) 9323 4430

FILE NUMBER: 04/7045
DESIGNED / DRAWN: KOON WONG/J.STANLEY
VERIFIED: A. LIM 15/12/11
APPROVED: R. GROVE 16/12/11

STANDARD DRAWING
SMALL BOX CULVERTS - COVER 200 TO 2000 (MAXIMUM BOX SIZE 1200 x1200)
COVER 200 TO 2000
CONSTRUCTION DETAILS FOR BASE SLABS, APRON SLABS, WINGWALLS AND HEADWALLS - SHEET N° 2

MRWA DRAWING NUMBER
201131-0065-2

1:50
0 0.5m 1 1.5 2 2.5 3 3.5 4 4.5 5 5.5 6 6.5 7 7.5